



**SFK**  
HYD

# BEARING SERIES

*SFK Hydraulic High-Durability Bearing series*



ISO9001  
CERTIFIED

# ABOUT SFK

**SFK** was established in 2009 and became the major producer in Korea for the parts of Hydraulic Pumps, Motors, Reducers those are critical components of excavators.

In spite of short company history, We accomplished 3 million(USD) turn over in 2012 and 90% is export proportion, it means our potentiality in the after market for Excavators and resulted from accumulated technical experience from the fields.

In 2013, **SFK** will open new era for the production base in the new factory with modernized facilities and perfect testing system, to be the best producer of components in the international after market of Excavators.

In order to satisfy with every clients who contact with **SFK** for the good business, We always focus on customer's desire and do our best.

Therefore, please never hesitate to discuss with **SFK** whenever you need our supports.

Thank you very much for your kind attention to our brief company introduce.







# ABOUT WORK

SFK Quality control system consists of three types.

First, the production improvement system is Catch-Up Voice of Customer, Secure of Durability(Internal Activity), Official Approval - ISO/R'Certification, International Certification - 'CE'Certification

Secondly development quality control system is Development Planning(DR), Proto Stage - Design&Peformance Review, Pilot Stage - Productivity[LOT] Review, Pre Production Stage

Finally, process quality control system is Process Control-Parts Inspection/ Process Witness, Control of Supplier Quality System, Inspection Equipment Maintenanc&Adjustment, Process Improvement(Fool-Proof etc)

SFK has energy, ability, and more power to complete your goals, always makes safe and high quality products with the best equipment.

SFK is Supports research, development, production, processing, exports and services (pre-sales and after-sales).

# Bearings Introduction



· Hub units



· Clutch release bearings



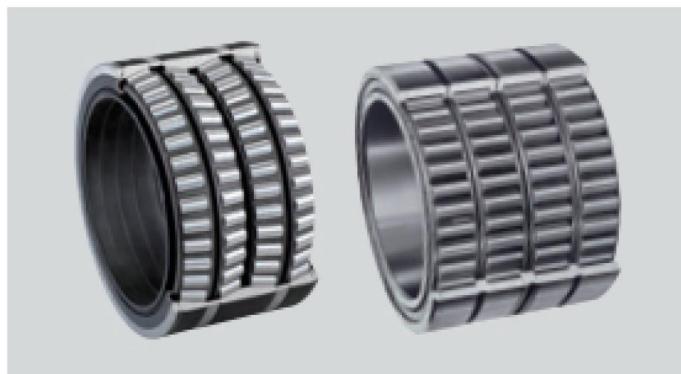
· Bearings for railway rolling stock axle journals



· Bearings for wind turbine generator



· Bearings for railway rolling stock axle journals



· Bearings for wind turbine generator



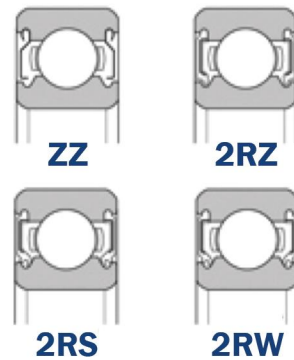
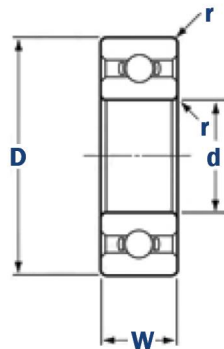
· Bearings for machine tools



· Bearing for aircraft/aerospace



# Deep Groove Ball Bearing



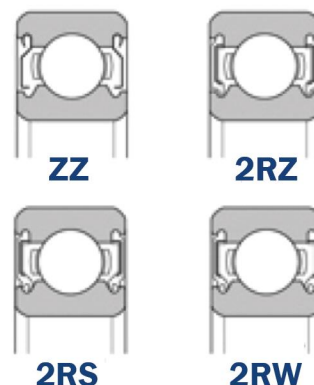
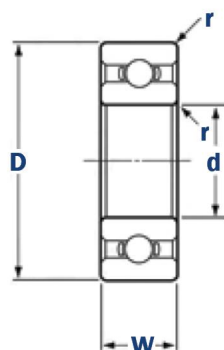
## SPECIFICATIONS

## 60 SERIES

No.	Bore		Outer Diameter		Width		Radius		Basic Load Rating KN		Ball Complement		Max Runout Speed		Weight kg
	d		D		W		r		Dynamic C	Static C <sub>0</sub>	No.	Size r/min	Grease r/min	Oil r/min	
	mm	inch	mm	inch	mm	inch	mm	inch							
604	4	0.1575	12	0.4724	4	0.1575	0.2	0.008	0.97	0.36	8	1.588	43000	51000	0.002
605	5	0.1969	14	0.5512	5	0.1969	0.2	0.008	1.33	0.505	8	2	39000	46000	0.0035
606	6	0.2362	17	0.6693	6	0.2362	0.3	0.012	2.19	0.865	8	2.831	30000	38000	0.006
607	7	0.2756	19	0.748	6	0.2362	0.3	0.012	2.24	0.91	7	3.5	28000	36000	0.008
608	8	0.3149	22	0.8661	7	0.2756	0.3	0.012	3.35	1.40	7	3.969	26000	34000	0.012
609	9	0.3543	24	0.9449	7	0.2756	0.3	0.012	3.4	1.45	7	3.969	22000	30000	0.014
6000	10	0.3937	26	1.0236	8	0.3150	0.3	0.012	4.55	1.96	7	4.763	20000	28000	0.019
6001	12	0.4724	28	1.1024	8	0.3150	0.3	0.012	5.1	2.39	8	4.763	19000	26000	0.021
6002	15	0.5906	32	1.2598	9	0.3543	0.3	0.012	5.6	2.84	9	4.763	18000	24000	0.030
6003	17	0.6693	35	1.378	10	0.3937	0.3	0.012	6.8	3.35	10	4.763	17000	22000	0.039
6004	20	0.7874	42	1.6535	12	0.4724	0.6	0.024	9.4	5.05	9	6.35	15000	19000	0.069
6005	25	0.9843	47	1.8504	12	0.4724	0.6	0.024	10.1	5.85	10	6.35	13000	17000	0.08
6006	30	1.1811	55	2.1654	13	0.5118	1	0.039	13.2	8.30	11	7.144	12000	15000	0.116
6007	35	1.378	62	2.4409	14	0.5512	1	0.039	16	10.30	11	7.938	10000	13000	0.155
6008	40	1.5748	68	2.6772	15	0.5906	1	0.039	16.8	11.50	12	7.938	8000	11000	0.185
6009	45	1.7717	75	2.9528	16	0.6299	1	0.039	21	15.10	12	8.731	7200	9000	0.231
6010	50	1.9685	80	3.1496	16	0.6299	1	0.039	21.8	16.60	13	8.731	6400	7800	0.250
6011	55	2.1654	90	3.5433	18	0.7087	1.1	0.043	28.3	21.20	11	11.112	5700	7000	0.362
6012	60	2.3622	95	3.7402	18	0.7087	1.1	0.043	29.5	23.20	12	11.112	5000	6300	0.385

\* Any combination of closures is available.

# Deep Groove Ball Bearing

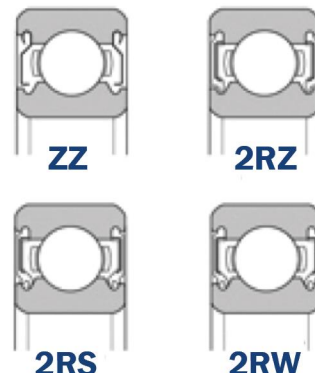
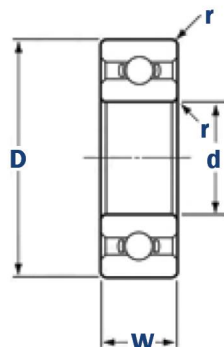


## SPECIFICATIONS

## 62 SERIES

No.	Bore		Outer Diameter		Width		Radius		Basic Load Rating KN		Ball Complement		Max Runout Speed		Weight kg
	d		D		W		r		Dynamic C	Static C <sub>0</sub>	No.	Size r/min	Grease r/min	Oil r/min	
	mm	inch	mm	inch	mm	inch	mm	inch							
624	4	0.1575	13	0.5118	5	0.1968	0.2	0.007	1.31	0.49	6	2.381	36000	45000	0.0032
625	5	0.1968	16	0.6299	5	0.1968	0.3	0.012	1.76	0.68	6	3.175	32000	40000	0.0048
626	6	0.2362	19	0.748	6	0.2362	0.3	0.012	2.34	0.885	7	3.500	28000	36000	0.0081
627	7	0.2756	22	0.8661	7	0.2756	0.3	0.012	3.35	1.40	7	3.969	26000	34000	0.013
628	8	0.3149	24	0.9448	8	0.3149	0.3	0.012	4.00	1.59	7	3.969	24000	32000	0.017
629	9	0.3543	26	1.0236	8	0.3149	0.3	0.012	4.55	1.96	7	4.763	22000	30000	0.020
6200	10	0.3937	30	1.1811	9	0.3543	0.6	0.024	5.10	2.39	8	4.763	19000	26000	0.032
6201	12	0.4724	32	1.2598	10	0.3937	0.6	0.024	6.10	2.75	7	5.953	18000	24000	0.037
6202	15	0.5906	35	1.378	11	0.4331	0.6	0.024	7.75	3.60	8	5.953	17000	22000	0.045
6203	17	0.6693	40	1.5748	12	0.4724	0.6	0.024	9.60	4.60	8	6.747	16000	20000	0.066
6204	20	0.7874	47	1.8504	14	0.5512	1.0	0.039	12.80	6.65	8	7.938	14000	18000	0.106
6205	25	0.9843	52	2.047	15	0.5906	1.0	0.039	14.00	7.85	9	7.938	12000	16000	0.128
6206	30	1.1811	62	2.4409	16	0.6299	1.0	0.039	19.50	11.30	9	9.525	10000	13000	0.199
6207	35	1.3780	72	2.8346	17	0.6693	1.1	0.043	25.70	15.30	9	11.112	8800	10000	0.287
6208	40	1.5748	80	3.1496	18	0.7087	1.1	0.043	29.10	17.80	9	12.00	7700	9200	0.367
6209	45	1.7717	85	3.3465	19	0.748	1.1	0.043	32.50	20.40	10	12.00	6800	8200	0.416
6210	50	1.9685	90	3.5433	20	0.7874	1.1	0.043	35.00	23.20	10	12.70	6100	7300	0.462
6211	55	2.1654	100	3.937	21	0.8268	1.5	0.059	43.50	29.20	10	14.288	5500	6600	0.602
6212	60	2.3622	110	4.3307	22	0.8661	1.5	0.059	52.50	36.00	10	15.081	5000	6000	0.789

# Deep Groove Ball Bearing



## SPECIFICATIONS

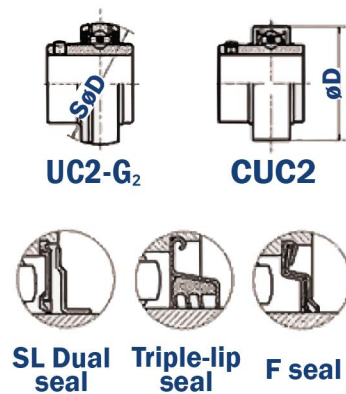
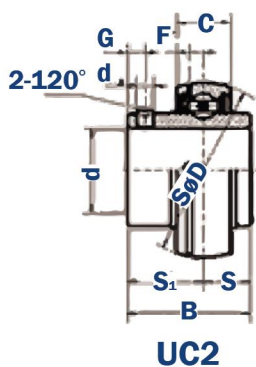
## 63 SERIES

No.	Bore		Outer Diameter		Width		Radius		Basic Load Rating KN		Ball Complement		Max Runout Speed		Weight kg
	d		D		W		r		Dynamic C	Static C <sub>0</sub>	No.	Size r/min	Grease r/min	Oil r/min	
	mm	inch	mm	inch	mm	inch	mm	inch							
635	5	0.1969	19	0.748	6	0.2362	0.3	0.012	2.34	0.885	9	2.381	34000	40000	0.008
6300	10	0.3937	35	1.378	11	0.4331	0.6	0.024	8.20	3.50	7	6.35	15000	21000	0.053
6301	12	0.4724	37	1.4567	12	0.4724	1	0.039	9.70	4.20	7	6.35	14000	20000	0.060
6302	15	0.5906	42	1.6535	13	0.5118	1	0.039	11.40	5.45	7	7.938	13000	18000	0.082
6303	17	0.6693	47	1.8504	14	0.5512	1	0.039	13.50	6.55	7	8.731	12000	17000	0.115
6304	20	0.7874	52	2.0472	15	0.5906	1.1	0.043	15.90	7.90	7	9.525	11000	15000	0.144
6305	25	0.9843	62	2.4409	17	0.6693	1.1	0.043	21.20	10.9	7	11.5	10000	13000	0.2193
6306	30	1.1811	72	2.8346	19	0.7480	1.1	0.043	26.70	15.00	8	12	8000	10000	0.3498
6307	35	1.3780	80	3.1496	21	0.8268	1.5	0.059	33.50	19.10	8	13.494	6800	8000	0.4542
6308	40	1.5748	90	3.5433	23	0.9055	1.5	0.059	40.50	24.00	8	15.081	5800	7200	0.6394
6309	45	1.7717	100	3.9370	25	0.9843	1.5	0.059	53.0	32.00	8	17.462	5000	6200	0.8363
6310	50	1.9685	110	4.3307	27	1.0630	2	0.079	62.0	38.50	8	19.05	4400	5500	1.0822





# Spherical Ball Bearing



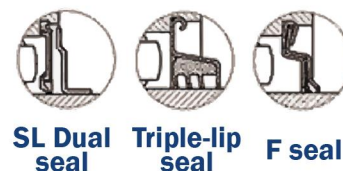
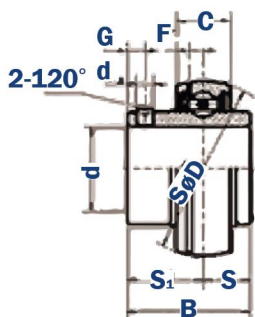
## SPECIFICATIONS

No.	Dimensions mm in.									Dynamic load ratings N	Static load ratings N	Weight(kg)
	d	D	B	C	S	S1	G	ds	F			
UCS201	12	40	27.4	14	11.5	15.9	4	M5X0.8	3.7	9600	4600	0.12
UCS201-8	1/2	1.5748	1.0787	0.5512	0.4528	0.626	0.157	10#-32	0.146	9600	4600	0.11
UCS202	15	40	27.4	14	11.5	15.9	4	M5X0.8	3.7	9600	4600	0.11
UCS202-9	9/16	1.5748	1.0787	0.5512	0.4528	0.626	0.157	10#-32	0.146	9600	4600	0.11
UCS202-10	5/8	1.5748	1.0787	0.5512	0.4528	0.626	0.157	10#-32	0.146	9600	4600	0.11
UCS203	17	40	27.4	14	11.5	15.9	4	M5X0.8	3.7	9600	4600	0.1
UCS203-11	9/16	1.5748	1.0787	0.5512	0.4528	0.626	0.157	10#-32	0.146	9600	4600	0.1
UC201	20	47	31	17	12.7	18.3	4.8	M6X1	3.7	12800	6650	0.2
UC201-8	1/2	1.8504	1.2205	0.6693	0.5	0.72	0.189	1/4-28UNF	0.146	12800	6650	0.19
UC202	15	47	31	17	12.7	18.3	4.8	M6X1	3.7	12800	6650	0.19
UC202-9	9/16	1.8504	1.2205	0.6693	0.5	0.72	0.189	1/4-28UNF	0.146	12800	6650	0.19
UC202-10	5/8	1.8504	1.2205	0.6693	0.5	0.72	0.189	1/4-28UNF	0.146	12800	6650	0.19
UC203	17	47	31	17	12.7	18.3	4.8	M6X1	3.7	12800	6650	0.18
UC203-11	11/16	1.8504	1.2205	0.6693	0.5	0.72	0.189	1/4-28UNF	0.146	12800	6650	0.17
UC204	20	47	31	17	12.7	18.3	4.8	M6X1	3.7	12800	6650	0.16
UC204-12	3/4	1.8504	1.2205	0.6693	0.5	0.72	0.189	1/4-28UNF	0.146	12800	6650	0.16
UC205	25	52	34.1	17	14.3	18.3	5	M6X1	3.9	14000	7850	0.2
UC205-13	1-3/16	2.0472	1.3425	0.6693	0.563	0.72	0.197	1/4-28UNF	0.154	1400	7850	0.24
UC205-14	7/8	2.0472	1.3425	0.6693	0.563	19.8	0.197	1/4-28UNF	0.154	1400	7850	0.23
UC205-15	15/16	2.0472	1.3425	0.6693	0.563	0.78	0.197	1/4-28UNF	0.154	1400	7850	0.21

\* Any combination of closures is available.



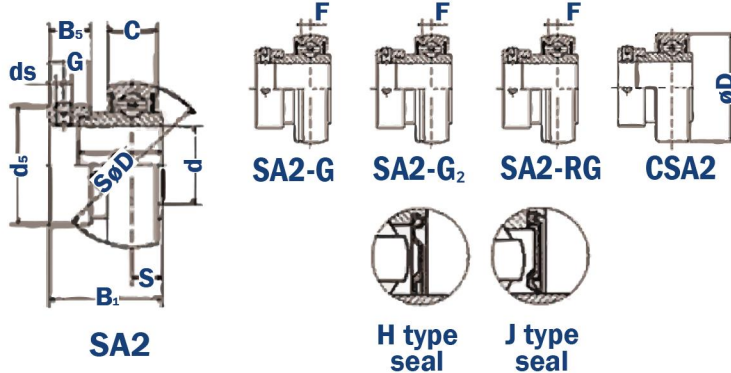
# Spherical Ball Bearing



## SPECIFICATIONS

No.	Dimensions mm in.									Dynamic load ratings N	Static load ratings N	Weight(kg)
	d	D	B	C	S	S1	G	ds	F			
UC305	25	62	38	20	15	23	6	M6X1	5.40	22400	11500	0.35
UC305-13	13/16	2.4409	1.4961	0.7874	0.591	0.906	0.236	1/4-28UNF	0.213	22400	11500	0.40
UC305-14	7/8	2.4409	1.4961	0.7874	0.591	0.906	0.236	1/4-28UNF	0.213	22400	11500	0.38
UC305-15	15/16	2.4409	1.4961	0.7874	0.591	0.906	0.236	1/4-28UNF	0.213	22400	11500	0.36
UC305-16	1	2.4409	1.4961	0.7874	0.591	0.906	0.236	1/4-28UNF	0.213	22400	11500	0.35
UC306	30	72	43	23	17	26	6	M6X1	5.70	26700	15000	0.56
UC306-17	1/16	2.8346	1.6929	0.9055	0.669	1.024	0.236	1/4-28UNF	0.225	26700	15000	0.61
UC306-18	1-1/8	2.8346	1.6929	0.9055	0.669	1.024	0.236	1/4-28UNF	0.225	26700	15000	0.58
UC306-19	1-3/16	2.8346	1.6929	0.9055	0.669	1.024	0.236	1/4-28UNF	0.225	26700	15000	0.56
UC307	35	80	48	25	19	29	8	M8X1	6.20	33500	19100	0.71
UC307-20	1-1/4	3.1496	1.8898	0.9843	0.748	1.142	0.315	5/16-24UNF	0.224	33500	19100	0.77
UC307-21	1-5/16	3.1496	1.8898	0.9843	0.748	1.142	0.315	5/16-24UNF	0.224	33500	19100	0.74
UC307-22	1-3/8	3.1496	1.8898	0.9843	0.748	1.142	0.315	5/16-24UNF	0.224	33500	19100	0.71
UC307-23	1-7/16	3.1496	1.8898	0.9843	0.748	1.142	0.315	5/16-24UNF	0.224	33500	19100	0.68
UC308	40	90	52	27	19	33	10	M10X1	7	40500	24000	0.96
UC308-24	1-1/2	3.5433	2.0472	1.063	0.748	1.299	0.394	3/8-24UNF	0.276	40500	24000	1.01
UC308-25	1-9/16	3.5433	2.0472	1.063	0.748	1.299	0.394	3/8-24UNF	0.276	40500	24000	0.97
UC309	45	100	57	30	22	35	0.394	M10X1	7.80	52800	31800	1.28
UC309-2C6	1-5/8	3.937	2.2441	1.1811	0.866	1.378	0.394	3/8-24UNF	0.307	52800	31800	1.39
UC309-27	1-11/16	3.937	2.2441	1.1811	0.866	1.378	0.394	3/8-24UNF	0.307	52800	31800	1.35

# Spherical Ball Bearing

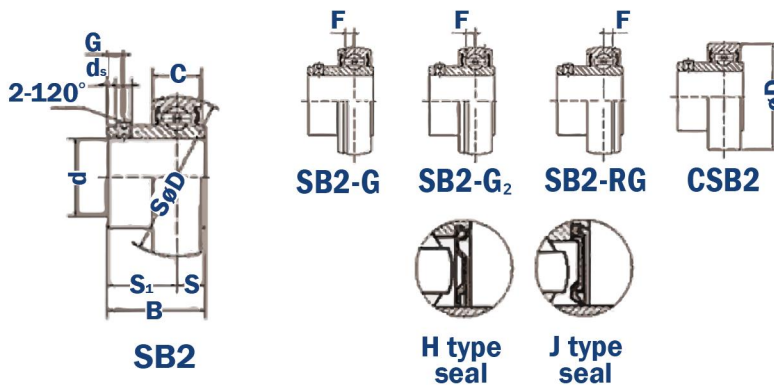


## SPECIFICATIONS

No.	Dimensions mm in.										Dynamic load ratings N	Static load ratings N	Weight (kg)
	d	D	B1	B	C	S	ds	G	B5	d5			
SA201	12	40	28.6	19.1	12	6.5	M6X1	4.8	13.5	28.6	9600	4600	0.12
SA201-8	1 1/2	1.57	1.13	0.75	0.47	0.26	1/4-28UNF	0.19	0.53	1.13	9600	4600	0.12
SA202	15	40	28.6	19.1	12	6.5	M6X1	4.8	13.5	28.6	9600	4600	0.1
SA202-9	9/16	1.5748	1.13	0.75	0.47	0.26	1/4-28UNF	0.19	0.53	1.13	9600	4600	0.1
SA202-10	5/8	1.5748	1.13	0.75	0.47	0.26	1/4-28UNF	0.19	0.53	1.13	9600	4600	0.1
SA203	17	40	28.6	19.1	12	6.5	M6X1	4.8	13.5	28.6	9600	4600	0.09
SA203-11	11/16	1.57	1.13	0.75	0.47	0.26	1/4-28UNF	0.19	0.53	1.13	9600	4600	0.09
SA204	20	47	31	21.5	14	7.5	M6X1	4.8	13.5	33.3	12800	6650	0.16
SA204-12	3/4	1.85	1.22	0.85	0.55	0.29	1/4-28UNF	0.19	0.53	1.31	12800	6650	0.16
SA205	25	52	31	21.5	15	7.5	M6X1	4.8	13.5	38.1	14000	7850	0.2
SA205-13	13/16	2.05	1.22	0.85	0.59	0.29	1/4-28UNF	0.19	0.53	1.5	14000	7850	0.22
SA205-14	7/8	2.05	1.22	0.85	0.59	0.29	1/4-28UNF	0.19	0.53	1.5	14000	7850	0.21
SA205-15	15/16	2.05	1.22	0.85	0.59	0.29	1/4-28UNF	0.19	0.53	1.5	14000	7850	0.21
SA205-16	1	2.05	1.22	0.85	0.59	0.29	1/4-28UNF	0.19	0.53	1.5	14000	7850	0.2
SA206	30	62	35.7	23.8	16	9	M8X1	6	15.9	44.5	19500	11300	0.3
SA206-17	1-1/16	2.44	1.41	0.94	0.63	0.35	5/16-28UNF	0.24	0.63	1.75	19500	11300	0.32
SA206-18	1-1/8	2.44	1.41	0.94	0.63	0.35	5/16-28UNF	0.24	0.63	1.75	19500	11300	0.31
SA206-19	1-3/16	2.44	1.41	0.94	0.63	0.35	5/16-28UNF	0.24	0.63	1.75	19500	11300	0.3
SA206-20	1-1/4	2.44	1.41	0.94	0.63	0.35	5/16-28UNF	0.24	0.63	1.75	19500	11300	0.29
SA207	35	72	38.9	25.4	17	9.5	M8X1	6.8	17.5	55.6	25700	15300	4.2

\* Any combination of closures is available.

# Spherical Ball Bearing



## SPECIFICATIONS

No.	Dimensions mm in.								Dynamic load ratings N	Static load ratings N	Weight(kg)
	d	D	B	C	S	S1	ds	G			
SB201	12	40	22	12	6	16	M5X0.8	4.5	9600	4600	0.1
SB201-8	1/2	1.57	0.87	0.47	0.24	0.63	10#-32	0.18	9600	4600	0.1
SB202	15	40	22	12	6	16	M5X0.8	4.5	9600	4600	0.1
SB202-9	9/16	1.57	0.87	0.47	0.24	0.63	10#-32	0.18	9600	4600	0.1
SB202-10	5/8	1.57	0.87	0.47	0.24	0.63	10#-32	0.18	9600	4600	0.1
SB203	17	40	22	12	6	16	M5X0.8	4.5	9600	4600	0.09
SB203-11	11/16	1.57	0.8661	0.47	0.24	0.63	10#-32	0.18	9600	4600	0.09
SB204	20	47	25	14	7	18	M6X1	4.5	12800	6650	0.13
SB204-12	3/4	1.85	0.95	0.55	0.276	0.71	1/4-28UNF	0.18	12800	6650	0.14
SB205	25	52	27	15	7.5	19.5	M6X1	5.5	14000	7850	0.16
SB205-13	13/16	2.05	1.063	0.59	0.29	0.77	1/4-28UNF	0.217	14000	7850	0.19
SB205-14	7/8	2.05	1.063	0.59	0.29	0.77	1/4-28UNF	0.22	14000	7850	0.19
SB205-15	15/16	2.05	1.063	0.59	0.29	0.77	1/4-28UNF	0.22	14000	7850	0.17
SB205-16	1	2.05	1.063	0.59	0.29	0.77	1/4-28UNF	0.22	14000	7850	0.16
SB206	30	62	30	16	8	22	M6X1	6	19500	11300	0.25
SB206-17	1-1/16	2.44	1.18	0.63	0.32	0.87	1/4-28UNF	0.24	19500	11300	0.28
SB206-18	1-1/8	2.44	1.18	0.63	0.32	0.87	1/4-28UNF	0.24	19500	11300	0.26
SB206-19	1-3/16	2.44	1.18	0.63	0.32	0.87	1/4-28UNF	0.24	19500	11300	0.25
SB206-20	1-1/4	2.44	1.18	0.63	0.32	0.87	1/4-28UNF	0.24	19500	11300	0.24
SB207	35	72	32	17	8.5	23.5	M8X1	6.5	25700	15300	0.38





*A company that always creates  
the best products to meet customer needs.*

## **OFFICE**

**Office\_** 603 6th floor 298, Beotkkot-ro, Geumcheon-gu, Seoul, Republic of Korea

**Factory 1\_** 141, Charyongdanji-ro, Uichang-gu, Changwon-si, Gyeongsangnam-do, Republic of Korea

**Factory 2\_** 47-3, Geomdan-ro 326beon-gil, Seo-gu, Incheon, Republic of Korea

**Tel\_** (+82)70-4632-3374

**Email\_** sales@sfkorea.co.kr

**Site\_** www.sfkorea.co.kr

INFO